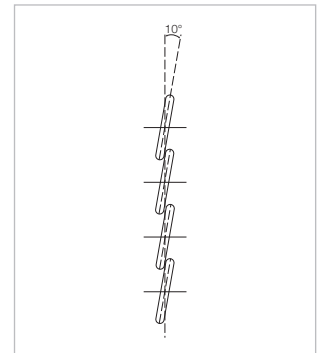
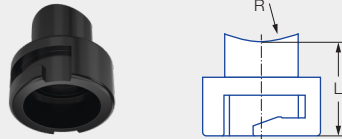


# Accessories for bayonet system



## Bayonet welded nipple



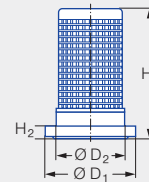
Twist angle to the right in relation to the pipe axis. Twist angle 10°. Other twist angles available on request.

Series	Ordering no.			Dimensions [mm]		Weight [g]
	Type	Mat. no.		L	R	
		50	53			
226/2TR/302 bayonet/ 422 bayonet/468/ 652/646/684/679	<b>095.016.xx.08.05<sup>1</sup></b>	●	●	25.0	16.0	10.0

<sup>1</sup> Replace "xx" with the desired material no.

## Strainer with gasket

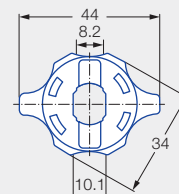
Suitable for bayonet quick-release system nuts 065.202



Performance size	Ordering no.		Colour	Dimensions [mm]					Weight [g]
	Type	Mat. no.		Mesh size	H <sub>1</sub>	H <sub>2</sub>	Ø D <sub>1</sub>	Ø D <sub>2</sub>	
xxx.32x-xxx.44x	<b>065.268.7J.25</b>	●	Red	0.3	19.2	3.0	18.0	12.0	2.0
xxx.48x-xxx.56x	<b>065.268.7J.60</b>	●	Blue	0.5	19.2	3.0	18.0	12.0	2.0

## Bayonet quick-release system nuts

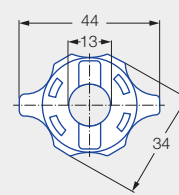
Incl. gasket 065.242.73 (material: Rubber)



Series	Ordering no.			Colour	Weight [g]	
	Type	Mat. no.				
		POM	Polypropylene			PVDF
652/679	<b>065.202.56.00</b>	●		Red	10.0	
	<b>065.202.53.00</b>		●	Grey	10.0	
	<b>065.202.5E.00</b>			Blue	10.0	

## Bayonet quick-release system nuts

Incl. gasket 065.242.73 (material: Rubber)



Series	Ordering no.		Colour	Weight [g]	
	Type	Mat. no.			
		POM			Polypropylene
226/2TR/ 468/684	<b>065.202.56.11</b>	●	Black	10.0	
	<b>065.202.53.11</b>		Grey	10.0	

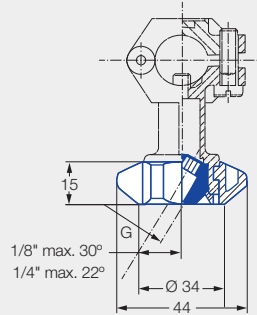
**Notice:** Please consider the material combination when using bayonet eyelet clamps with bayonet quick-release system nuts. The nuts may be difficult to turn when using different materials.



## Ball joints for bayonet quick-release system

Ball joint system for nozzles with 1/8" and 1/4" male thread.

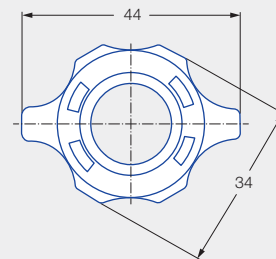
Ball joint for eyelet clamps with bayonet quick-release system



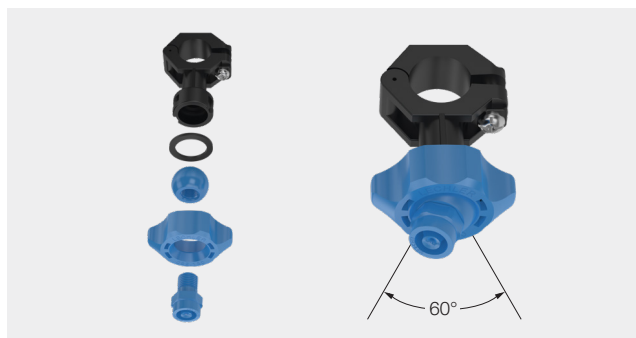
For all nozzles with 1/8" or 1/4" male thread	Ordering no.				Colour	Weight [g]
	Type	Mat. no.	Code			
		PVDF	1/8 BSPP	1/4 BSPP		
Ball joint	<b>092.150</b>	<b>5E</b>	<b>AB</b>	<b>AD</b>	Blue	5.0

Bayonet quick-release system nut for ball joint

Incl. O-ring  
Ordering no. 095.015.7C.04.16  
(material: 72 NBR 872)



For all nozzles with 1/8" or 1/4" male thread	Ordering no.			Colour	Weight [g]
	Type	Mat. no.			
		PVDF			
Quick-release system nut	<b>092.150.5E.00</b>	<b>●</b>	<b>●</b>	Blue	28.0



Max. temperature [°C]	Max. pressure [bar]
65	10
80	8
100	4

Ordering Type + Material no. + Code = Ordering no.  
example: 092.150 + 5E + AB = 092.150.5E.AB